

## Reversible Tabletop Sheeter

Model 644

### Key Features:

- Reversible sheeting action
- Both tables have positive drive at all times, eliminating the need for touching the dough once it has been placed on the conveyor belts
- 19" (483mm) long sheeting action
- Removable belt system reduces clean up time
- Produces dough sheets for higher yields and better uniformity, shape, and weight
- Free-moving in-feed belt automatically prevents tearing or "doubling up" of dough
- Outputs adjustable from 6" (152mm) to 24" (610mm) widths
- 1/64" (.5mm) to 13/16" (30mm) adjustable roller gap
- Coated rollers help prevent sticking



**Manufactured in the U.S.A.**

9/05

**Oliver® Products Company :: 445 Sixth Street N.W. :: Grand Rapids, MI 49504-5298**

Phone: 616/456-7711 :: Toll-Free: 800/253-3893 :: Fax: 616/456-7791

Web: [www.oliverproducts.com/bakery](http://www.oliverproducts.com/bakery) :: Email: [bakerysales@oliverproducts.com](mailto:bakerysales@oliverproducts.com)

# Reversible Tabletop Sheeter

Model 644

## Specifications:

### Motor:

3/4 H.P., single phase, 60Hz, 110 VAC, 3.6 AMPS

Special electrics also available

**Capacity:** Up to 8.8 lbs. (4kg)

**Construction:** Heavy-duty construction with aluminum casting and stainless steel

### Dimensions:

Shipping Weight 187 lbs. (84kg)

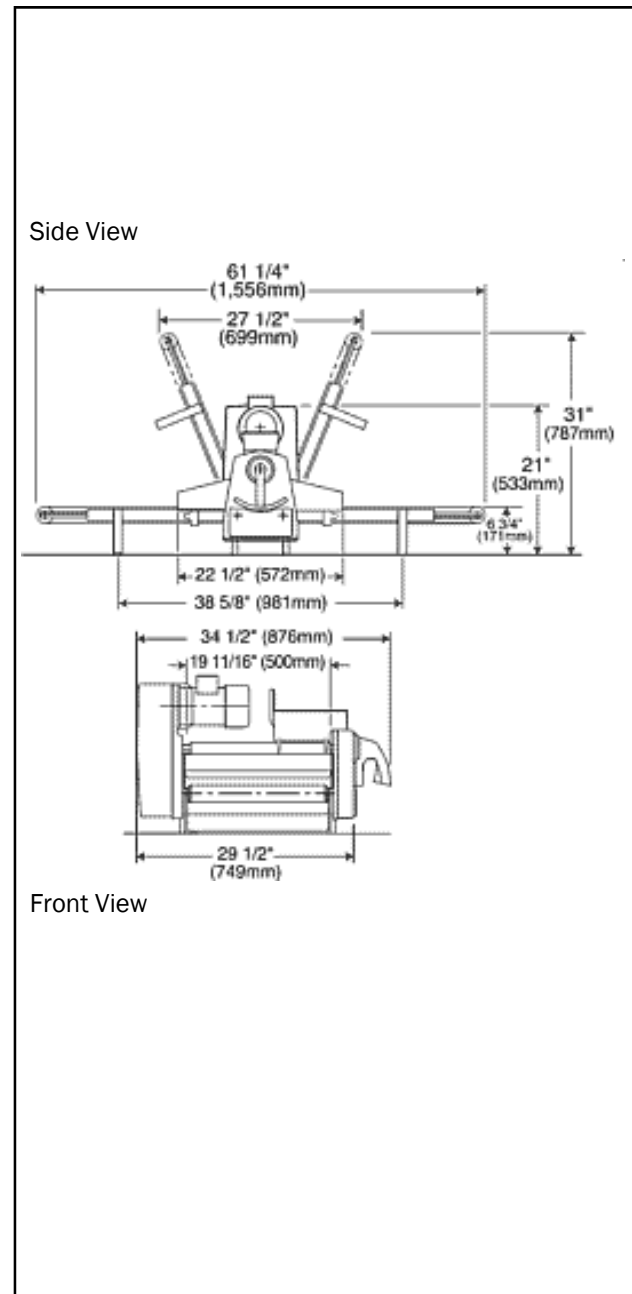
Net Weight: 176 lbs. (79kg)

Height: 21" (533mm) 31" (787mm) with tables raised

Width: 34 1/2" (876mm)

Length: 61 1/4" (1,556mm)

Roller Length: 19 11/16" (500mm)



Above specifications subject to change without notice.

The information contained herein is correct to the best of our knowledge. The recommendations or suggestions are made without guarantee or representation as to results. Freedom from any patent owned by Oliver Products Company is not to be inferred.  
Printed in U.S.A. ® Trademark of Oliver Products Company

**Oliver® Products Company :: 445 Sixth Street N.W. :: Grand Rapids, MI 49504-5298**

Phone: 616/456-7711 :: Toll-Free: 800/253-3893 :: Fax: 616/456-7791

Web: [www.oliverproducts.com/bakery](http://www.oliverproducts.com/bakery) :: Email: [bakerysales@oliverproducts.com](mailto:bakerysales@oliverproducts.com)