

## Dual Blade Bun Slicer

Model 705

### Key Features:

- Slices single large buns
- Ideal for sub sandwich programs
- Compact for countertop use
- “Gentle-touch” door slows exit of the bun to help prevent damage



**Manufactured in the U.S.A.**

1/07

**Oliver® Products Company :: 445 Sixth Street N.W. :: Grand Rapids, MI 49504-5298**

Phone: 616/456-7711 :: Toll-Free: 800/253-3893 :: Fax: 616/456-7791

Web: [www.oliverproducts.com/bakery](http://www.oliverproducts.com/bakery) :: Email: [bakerysales@oliverproducts.com](mailto:bakerysales@oliverproducts.com)

# Dual Blade Bun Slicer

Model 705

## Slicer Specifications:

### Motor:

2-1/3 HP, 1725 RPM, TENV, single phase capacitor start, thermally protected

1-60-115 VAC, 12 AMPS total

### Electric:

Cord & Plug: 7 foot (2.1m) 3 wire cord with grounding plug standard

### Capacities:

Bun Height: up to 4 1/8" (105mm)

Bun Width: up to 8 3/4" (222mm)

For hinged: Up to 6 3/4" (172mm)

Hinge thickness: approx 1/8" (3 mm)

Cutting height from bottom of bun:

5/8" (16mm) to 1-1/2" (38mm)

### Finish:

Durable bakery white powder coat finish, wear resistant and easy to clean. Chute, blade, and all other contact parts are stainless steel

### Dimensions:

Shipping Weight: Approx. 195 lbs. (79.4kg)

Net Weight: Approx. 150lbs. (45.4kg)

Height: 23 3/4" (603mm)

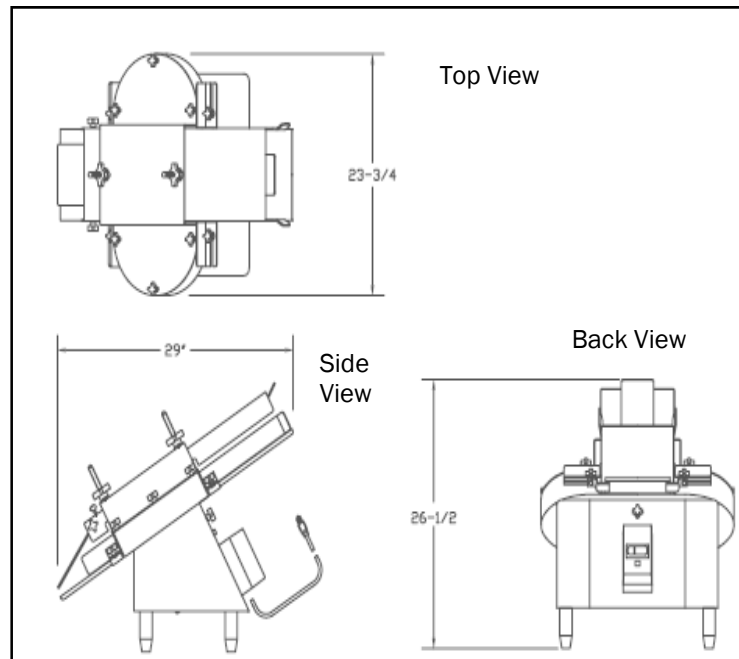
Width: 23 3/4" (603mm)

Length: 29" (736mm)

Optional Electrics

2/3 HP, 1725 RPM, 1-60-230 VAC, 6 AMPS

2/3 HP, 1425 RPM, 1-50-220 VAC, 7 AMPS



Above specifications subject to change without notice.

The information contained herein is correct to the best of our knowledge. The recommendations or suggestions are made without guarantee or representation as to results. Freedom from any patent owned by Oliver Products Company is not to be inferred. Printed in U.S.A. ® Trademark of Oliver Products Company

**Oliver® Products Company :: 445 Sixth Street N.W. :: Grand Rapids, MI 49504-5298**

Phone: 616/456-7711 :: Toll-Free: 800/253-3893 :: Fax: 616/456-7791

Web: [www.oliverproducts.com/bakery](http://www.oliverproducts.com/bakery) :: Email: [bakerysales@oliverproducts.com](mailto:bakerysales@oliverproducts.com)